

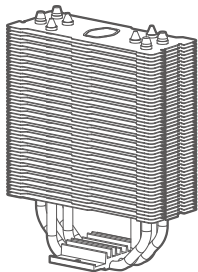


HYPER 212 SPECTRUM V3

MANUAL

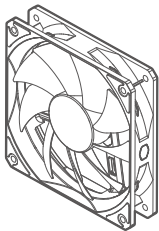
01. PACKAGE CONTENT

A



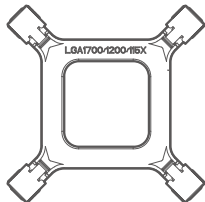
x1

B



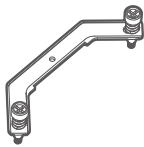
x1

C



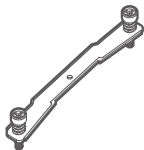
x1

D



x2

E



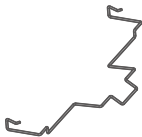
x2

F



x2

G



x4

H

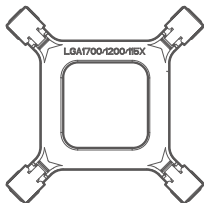


x1

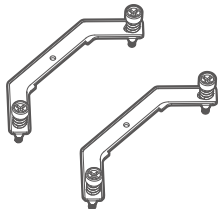
02. INTEL & AMD

Intel - LGA 1851/1700/1200/115X: C,D,F
AMD - AM5/AM4: E,F

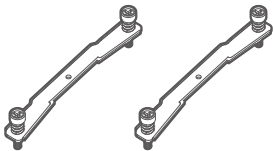
C



D



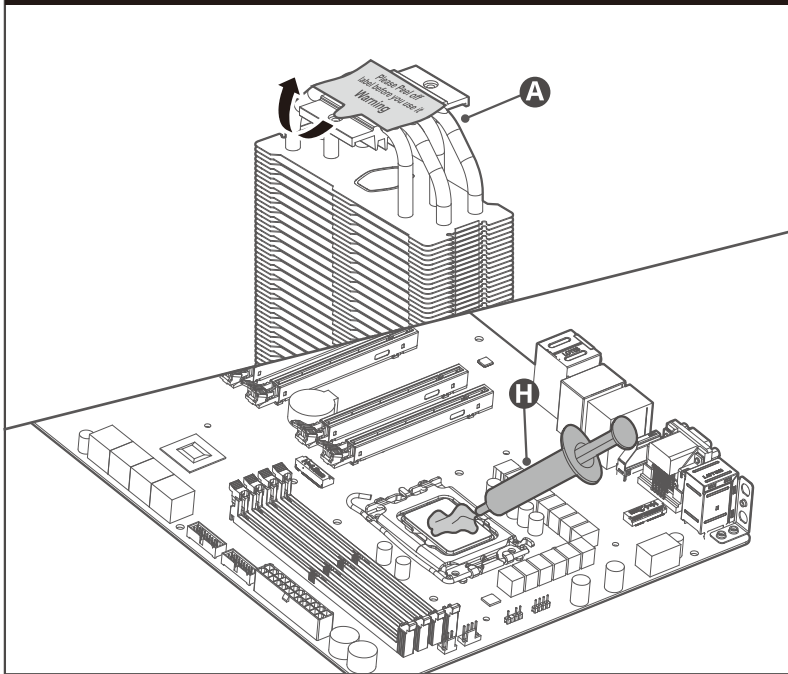
E



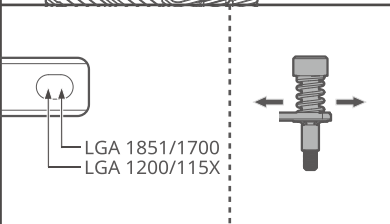
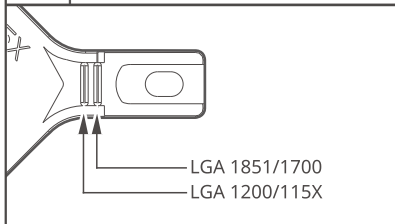
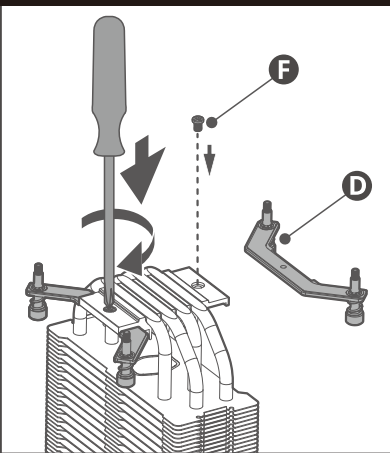
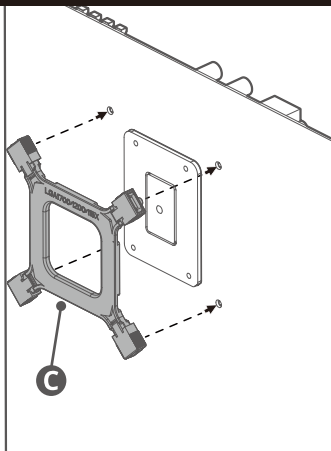
F



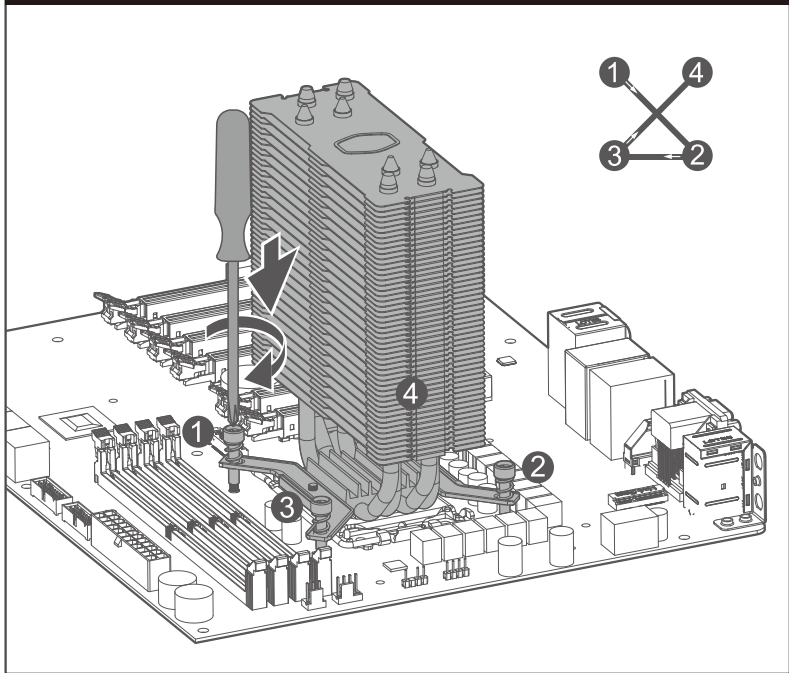
03. INTEL & AMD



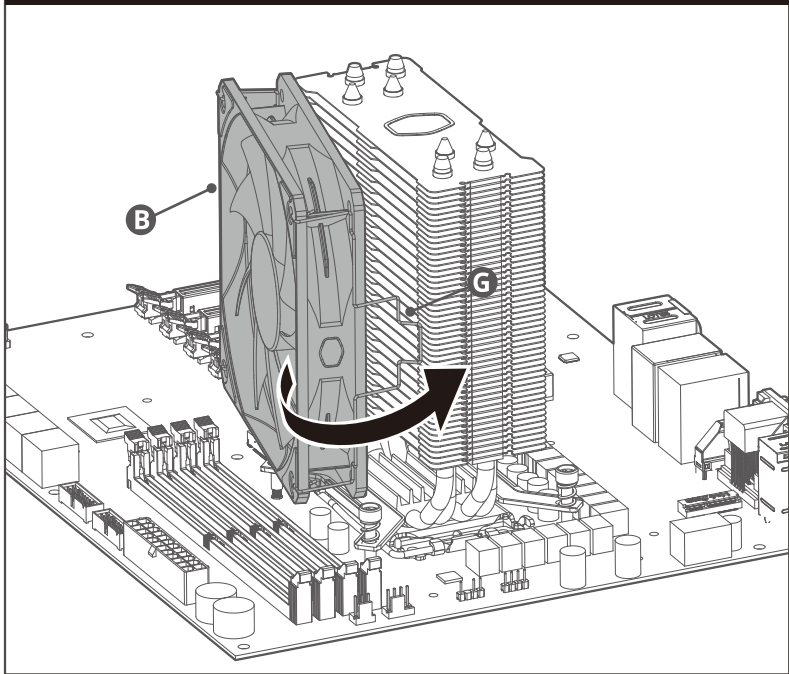
04. INTEL - LGA 1851/1700/1200/115X



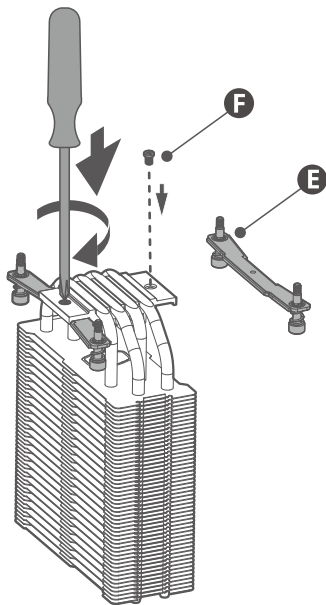
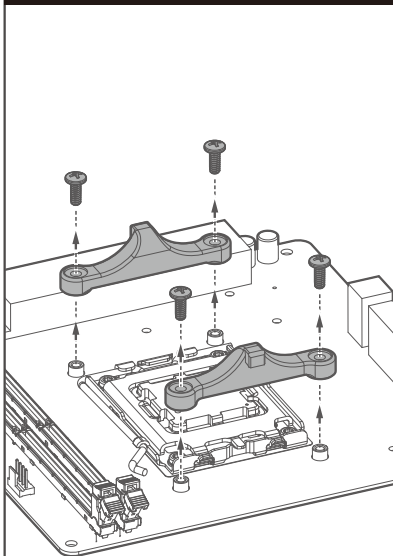
05. INTEL - LGA 1851/1700/1200/115X



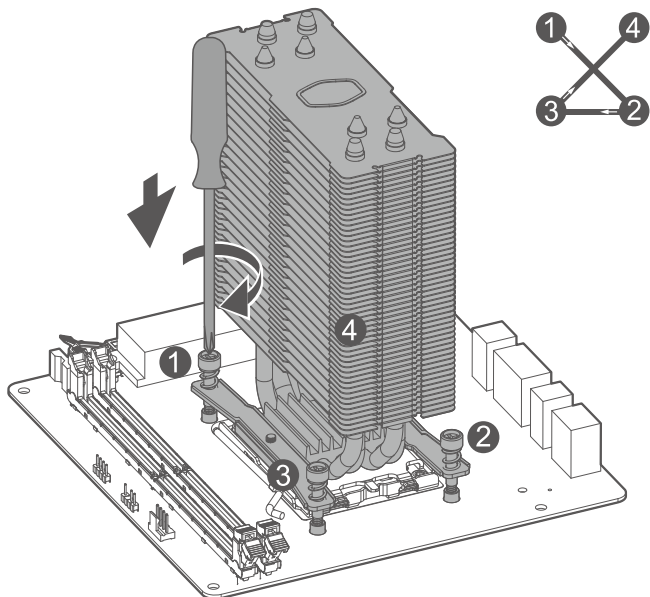
06. INTEL - LGA 1851/1700/1200/115X



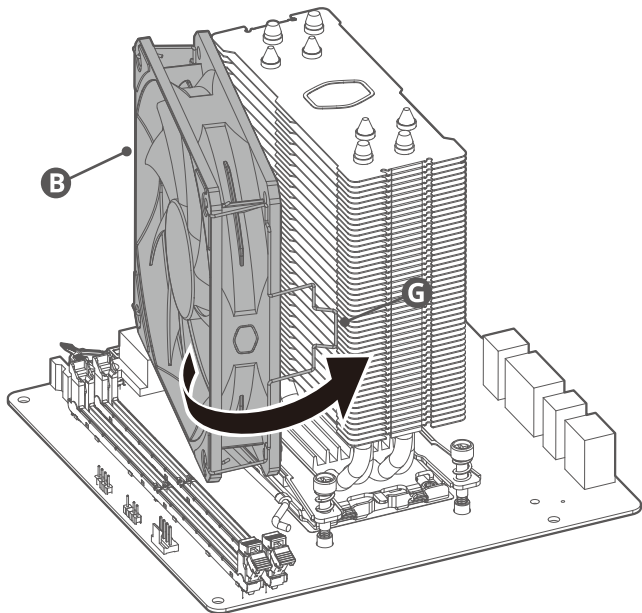
07. AMD - AM5/AM4



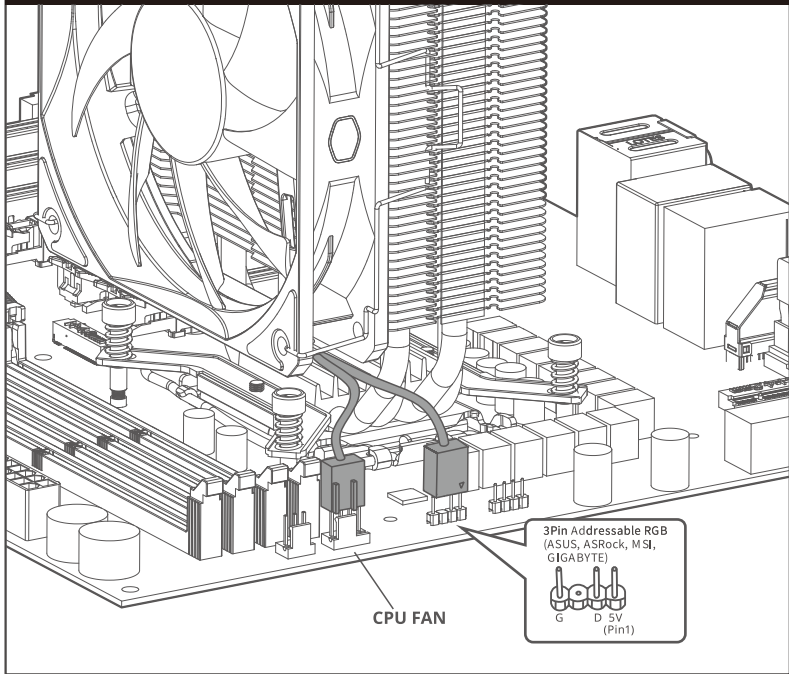
08. AMD - AM5/AM4



09. AMD - AM5/AM4



10. ARGB / PWM CONNECTION



Please visit our website at www.coolermaster.com

China - Cooler Master China

Room 112, Building 9, No. 327, Songjin Road, Jinshanwei Town, Jinshan Dist.,
Shanghai City, China
Tel: 400-9986-400

Europe - Cooler Master Europe B.V.

Lodewijkstraat 1b, 5652AC Eindhoven, The Netherlands
Tel: +31-(0)40-702-0900

North America – CMI USA, Inc.

1 N Indian Hill Blvd Suite 200, Claremont, CA 91711, USA
Tel: +1-888-624-5099

For the most updated information, please visit our official website: www.coolermaster.com
Cooler Master Support: <https://account.coolermaster.com/>



Ver 3.0 2025/06

©2025 Cooler Master Technology Inc. All Rights Reserved. All trademarks are registered to their respective owners.